

2022 SKILLATHON

Michigan 4-H State Championship

Test your knowledge and comprehension of animal science and livestock management practices.



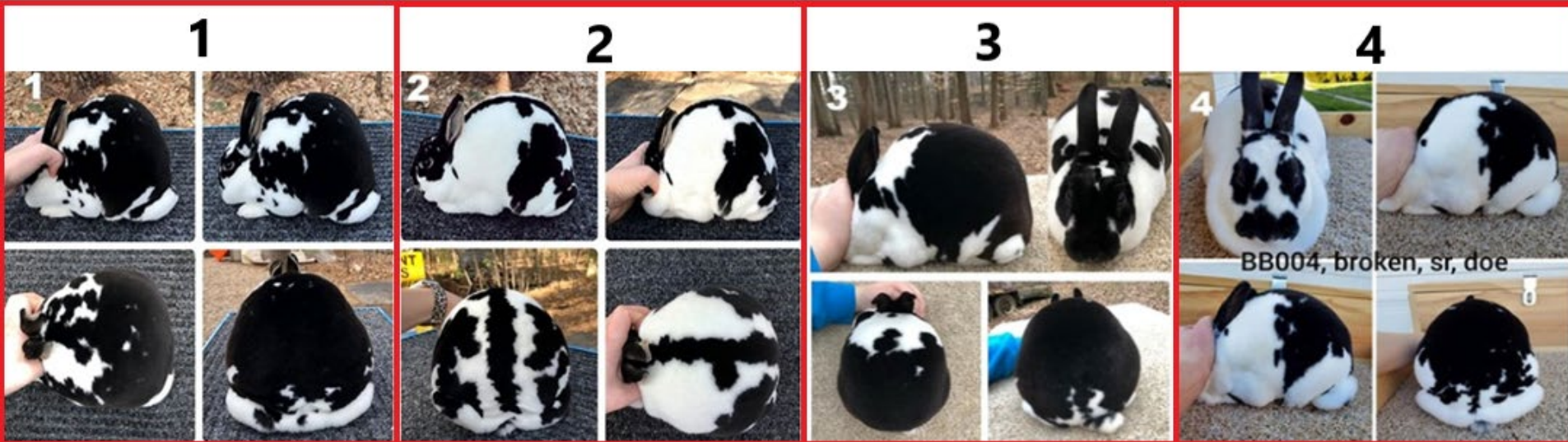
MICHIGAN STATE UNIVERSITY | Extension



Rabbits



Question 1

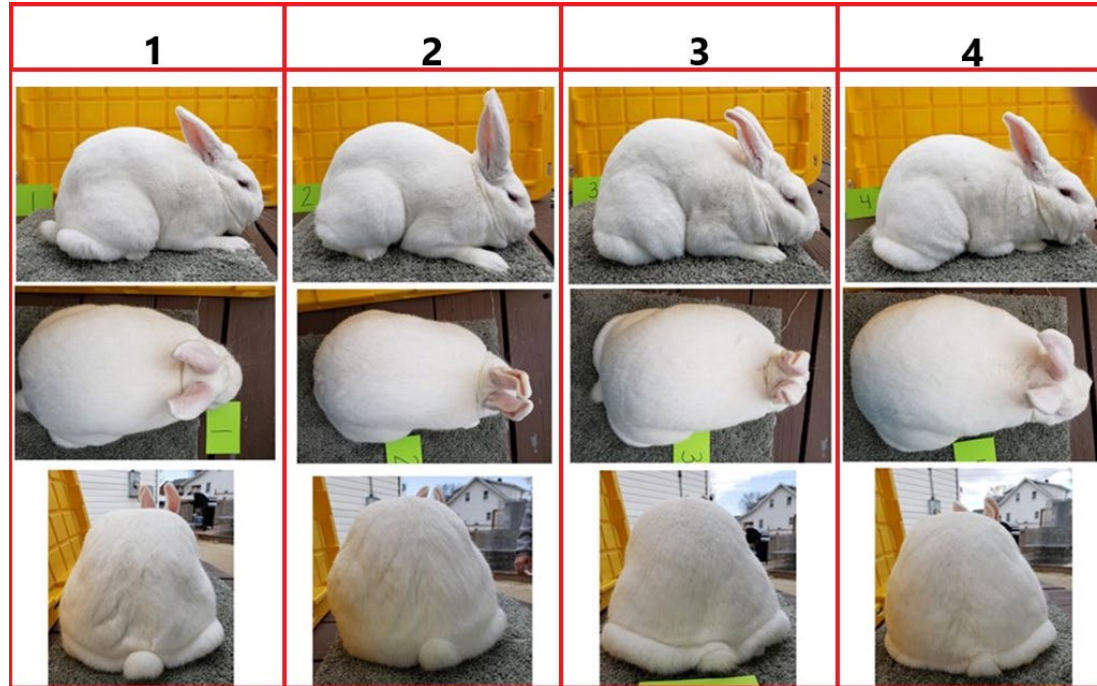


In placing this class of Mini Rex Broken Senior Does, which two animals will be in the top of their class (1st and 2nd, no particular order)

- A. 1 and 2
- B. 1 and 3
- C. 1 and 4
- D. 2 and 3
- E. 2 and 4
- F. 3 and 4



Question 2



When placing this class what rabbit is in last place?

A. 1

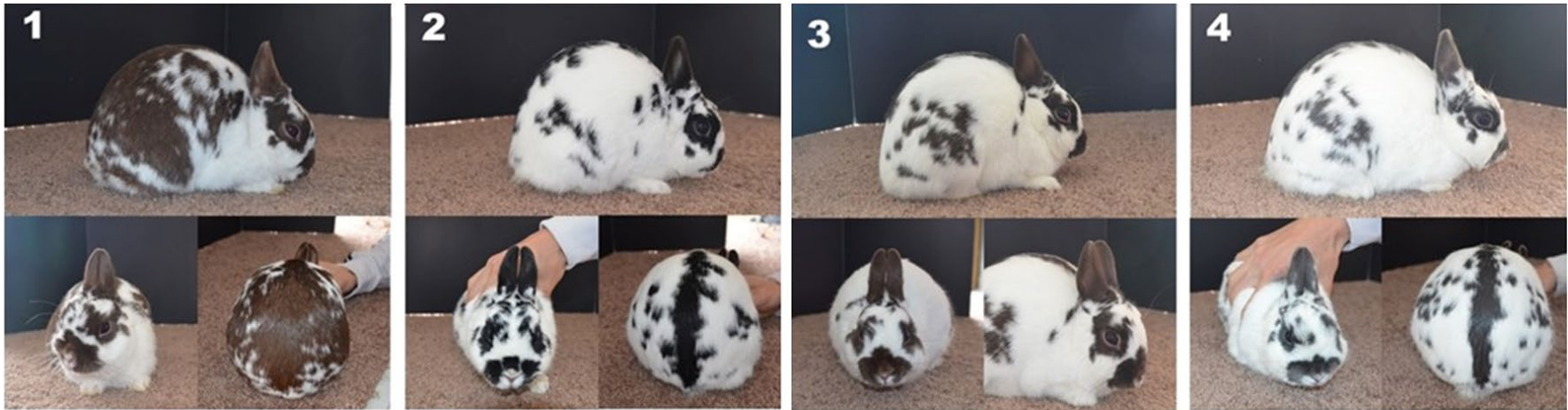
B. 2

C. 3

D. 4



Question 3



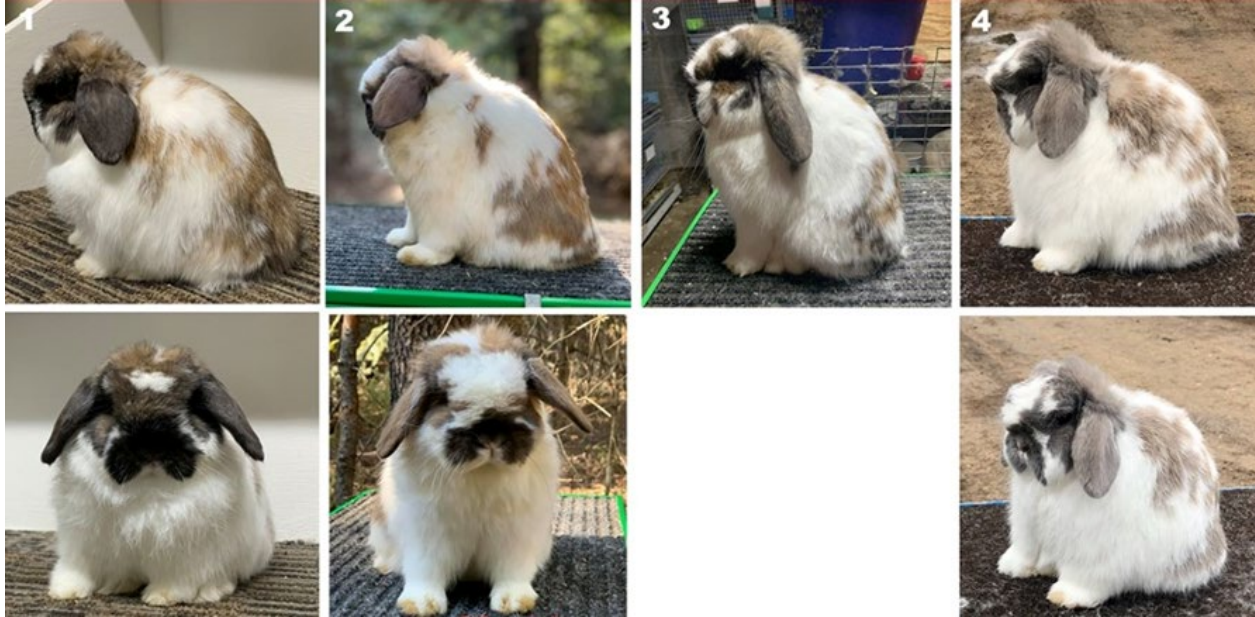
In judging this class of rabbits which is the first place rabbit?

- A. 1
- B. 2

- C. 3
- D. 4



Question 4



- A. 1
- B. 2

- C. 3
- D. 4



Question 5



What is the issue with the rabbit in the picture?

- A. Dirty Ears
- B. Fur Mites

- C. Ear Mites
- D. Dirty Pen



Question 6



What is the issue with the rabbit in the picture?

- A. Dandruff
- B. Fur Mites

- C. Dirty Pen
- D. None of the Above



Question 7



The picture is of a rabbit's hock. This issue is called sore hocks. What is the cause of sore hocks?

- A. Chewing on the Hock
- B. Thin Cage Floor Wire
- C. A Dirty Pen
- D. Stomping
- E. A Weak Foot Pad
- F. All except A and E
- G. All except A



Question 8



Coccidiosis is an internal parasite that affects which organ?

- A. Stomach
- B. Kidney
- C. Liver
- D. Intestines
- E. Both B and D
- F. Both C and D



Question 9

March 2021							April 2021							May 2021						
MON	TUE	WED	THU	FRI	SAT	SUN	MON	TUE	WED	THU	FRI	SAT	SUN	MON	TUE	WED	THU	FRI	SAT	SUN
1	2	3	4	5	6	7				1	2	3	4						1	2
8	9	10	11	12	13	14	5	6	7	8	9	10	11	3	4	5	6	7	8	9
15	16	17	18	19	20	21	12	13	14	15	16	17	18	10	11	12	13	14	15	16
22	23	24	25	26	27	28	19	20	21	22	23	24	25	17	18	19	20	21	22	23
29	30	31					26	27	28	29	30			24	25	26	27	28	29	30
														31						

June 2021							July 2021							August 2021						
MON	TUE	WED	THU	FRI	SAT	SUN	MON	TUE	WED	THU	FRI	SAT	SUN	MON	TUE	WED	THU	FRI	SAT	SUN
	1	2	3	4	5	6				1	2	3	4							1
7	8	9	10	11	12	13	5	6	7	8	9	10	11	2	3	4	5	6	7	8
14	15	16	17	18	19	20	12	13	14	15	16	17	18	9	10	11	12	13	14	15
21	22	23	24	25	26	27	19	20	21	22	23	24	25	16	17	18	19	20	21	22
28	29	30					26	27	28	29	30	31		23	24	25	26	27	28	29
														30	31					

Calendarforoffice.com

You want to have a meat pen for your fair, according to your fair book they cannot be over 10 weeks old. When should you breed your doe if your judging day is August 1st?

- A. May 1st
- B. April 17th
- C. April 10th
- D. April 23rd



Question 10

What is this rabbit's variety (color)?

- A. White
- B. Black
- C. Broken Black
- D. Other

DE1

Official Pedigree

Sold to: _____

Address: _____

City: _____ State: _____ ZIP: _____

Date Sold: _____

Sire:
WEISS' M73
Broken Black
Ear #: M73
Weight: 10
GC # :
DOB: Reg #: Legs:

G. Sire:
SHUMAKER'S RAVE
Broken Black
Ear #: RAVE
Weight: 9.08
GC # :
DOB: Reg #: Legs:

G. Dam:
EBONY
Black
Ear #: M1
Weight: 10
GC # :
DOB: Reg #: Legs:

WEISS' VIRGINIA
Broken Black
Ear #: DE1
Weight: 9.02
GC # :
DOB: June 23, 2000
SEX: DOE Reg #: Y549A Legs:

G. Sire:
DMINCO'S PN1
Black
Ear #: PN1
Weight: 9.08
GC # :
DOB: Reg #: Legs:

I hereby certify that this pedigree is correct to the best of my knowledge and belief.
Signed:



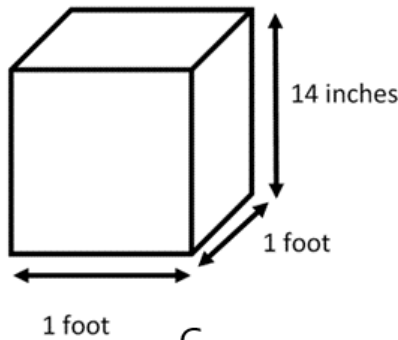
Dam:
WEISS' OF
Black
Ear #: OF
Weight: 10.02
GC # :
DOB: Reg #: Legs:

G. Dam:
JACK
Black
Ear #: 10
Weight: 10.04
GC # :
DOB: Reg #: N22X Legs: 5

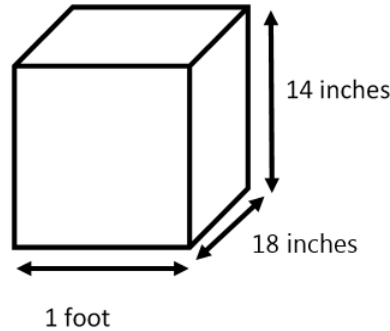
Question 11

You want to purchase a Netherland Dwarf rabbit (about 2.5 pounds) and need to purchase a cage. Which cage would meet the minimum requirements according to the Animal Welfare Act (Title 7 Chapter 54)?

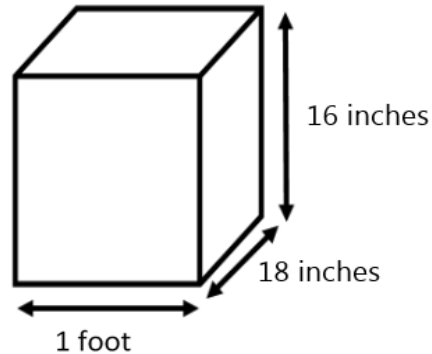
A.



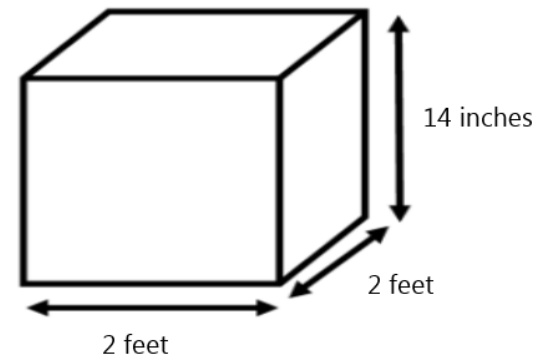
B.



C.

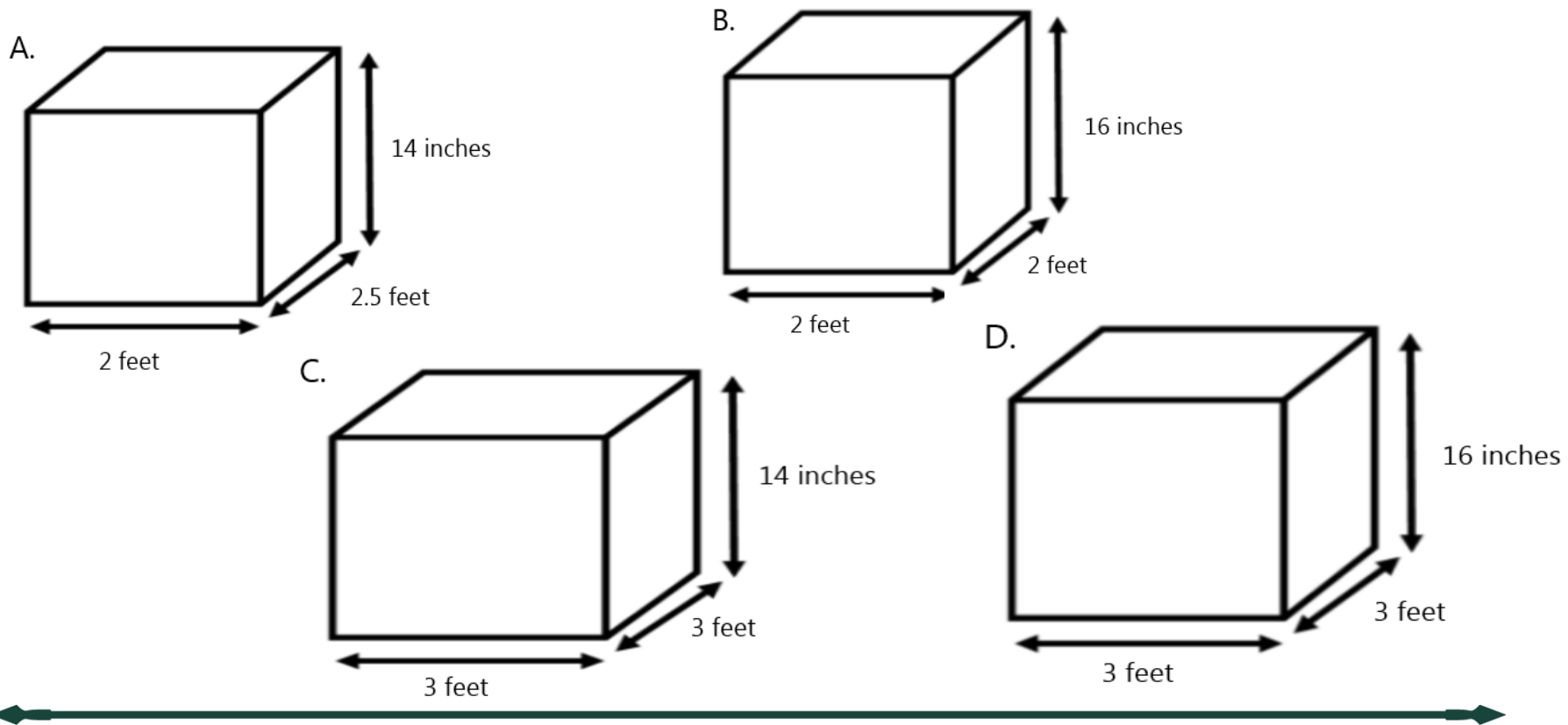


D.



Question 12

You want to purchase a Flemish Giant rabbit (largest breed) and need to purchase a cage. Which cage would meet the minimum requirements according to the Animal Welfare Act (Title 7 Chapter 54)?



Question 13

Rabbits are divided into body types based on the characteristics of their bodies. Identify the body type of the pictured rabbit.



- A. Full Arch
- B. Semi Arch
- C. Compact

- D. Cylindrical
- E. Commercial



Question 14

Rabbits are divided into body types based on the characteristics of their bodies. Identify the body type of the pictured rabbit.



- A. Full Arch
- B. Semi Arch
- C. Compact

- D. Cylindrical
- E. Commercial



Question 15

Rabbits are divided into body types based on the characteristics of their bodies. Identify the body type of the pictured rabbit.



- A. Full Arch
- B. Semi Arch
- C. Compact

- D. Cylindrical
- E. Commercial



Question 16

Rabbits are divided into body types based on the characteristics of their bodies. Identify the body type of the pictured rabbit.



- A. Full Arch
- B. Semi Arch
- C. Compact

- D. Cylindrical
- E. Commercial



Question 17

Rabbits are divided into body types based on the characteristics of their bodies. Identify the body type of the pictured rabbit.



- A. Full Arch
- B. Semi Arch
- C. Compact

- D. Cylindrical
- E. Commercial



Question 18

Pasteurellosis is common and highly contagious in domestic rabbits. This disease can have many signs that include which of the following.



- | | |
|-----------------|---------------------|
| A. Snuffles | F. Mastitis |
| B. Pneumonia | G. All of the Above |
| C. Wry Neck | H. Only A and D |
| D. Weepy Eye | I. A, B, C and D |
| E. Vent disease | J. A, B, D and E |



Question 19

The most effective way to prevent diseases in your rabbit is:

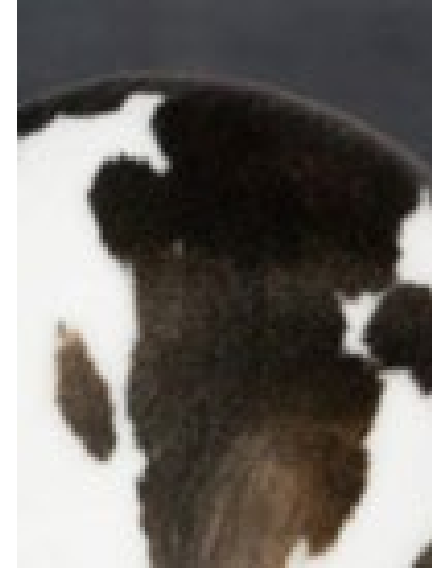


- A. Vaccinations
- B. Give Treats
- C. Sanitation
- D. Handle the Rabbit



Question 20

Rabbits have different fur types based on the fur characteristics. This picture illustrates what type of fur?



- A. Satin
- B. Normal
- C. Brown & White
- D. Rex
- E. Wool
- F. Soft



Question 21

Rabbits have different fur types based on the fur characteristics. This picture illustrates what type of fur?

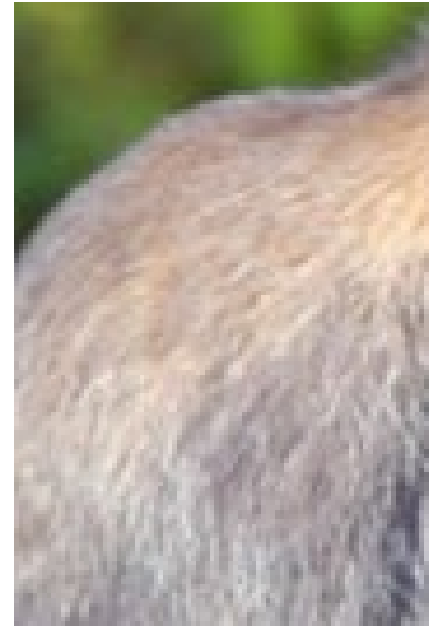


- A. Satin
- B. Normal
- C. Brown & White
- D. Rex
- E. Wool
- F. Soft



Question 22

Rabbits have different fur types based on the fur characteristics. This picture illustrates what type of fur?

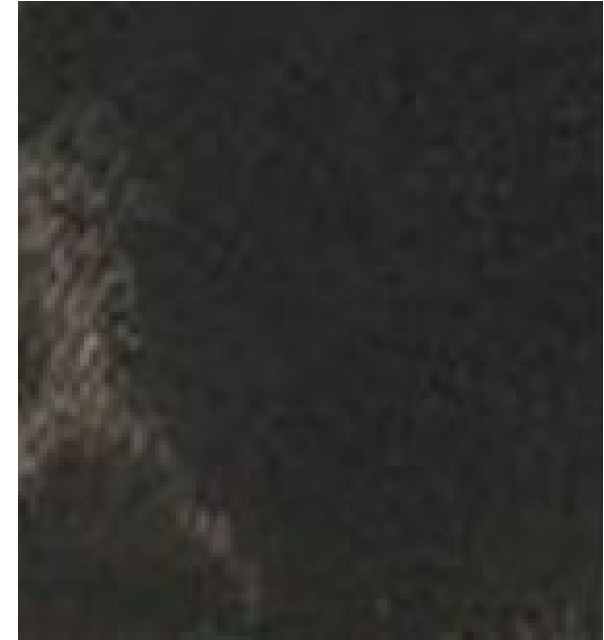


- A. Satin
- B. Normal
- C. Brown & White
- D. Rex
- E. Wool
- F. Soft



Question 23

Rabbits have different fur types based on the fur characteristics. This picture illustrates what type of fur?



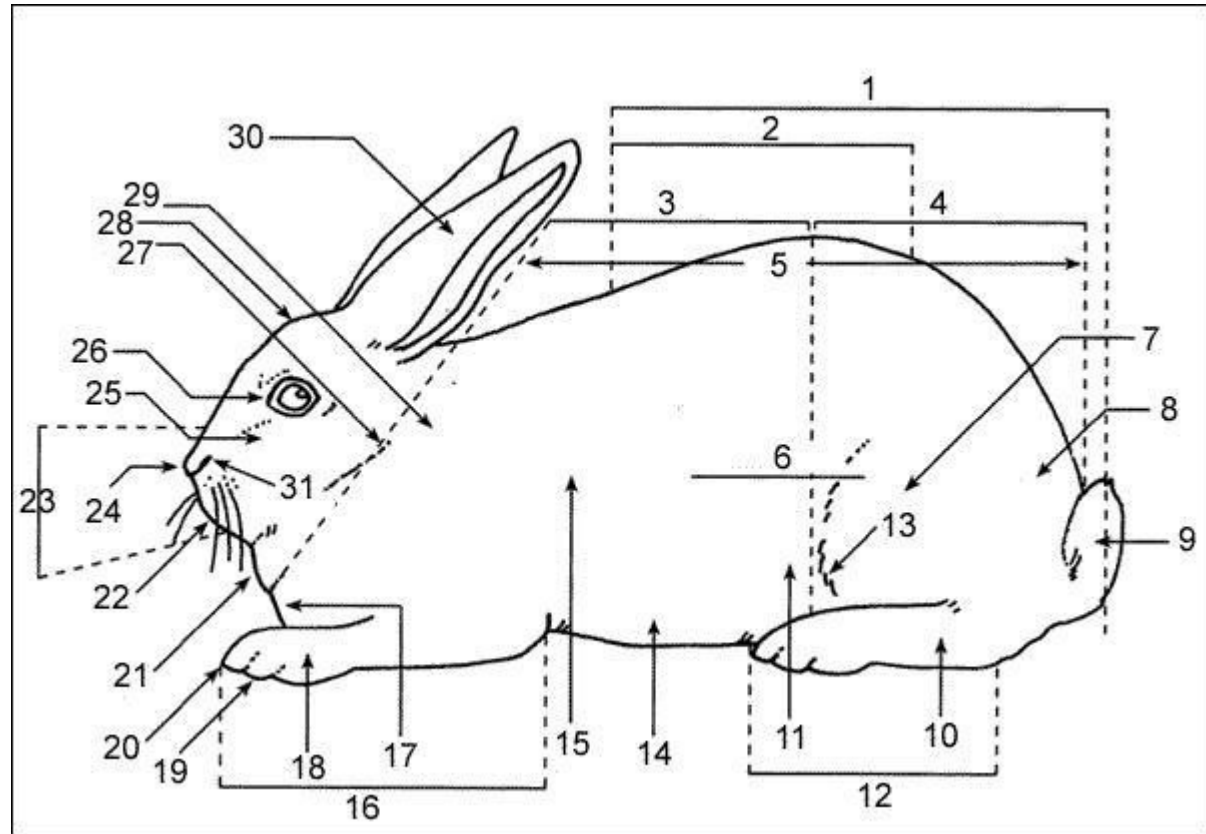
- A. Satin
- B. Normal
- C. Brown & White
- D. Rex
- E. Wool
- F. Soft



Question 24

What number of the pictured rabbit is the Hip?

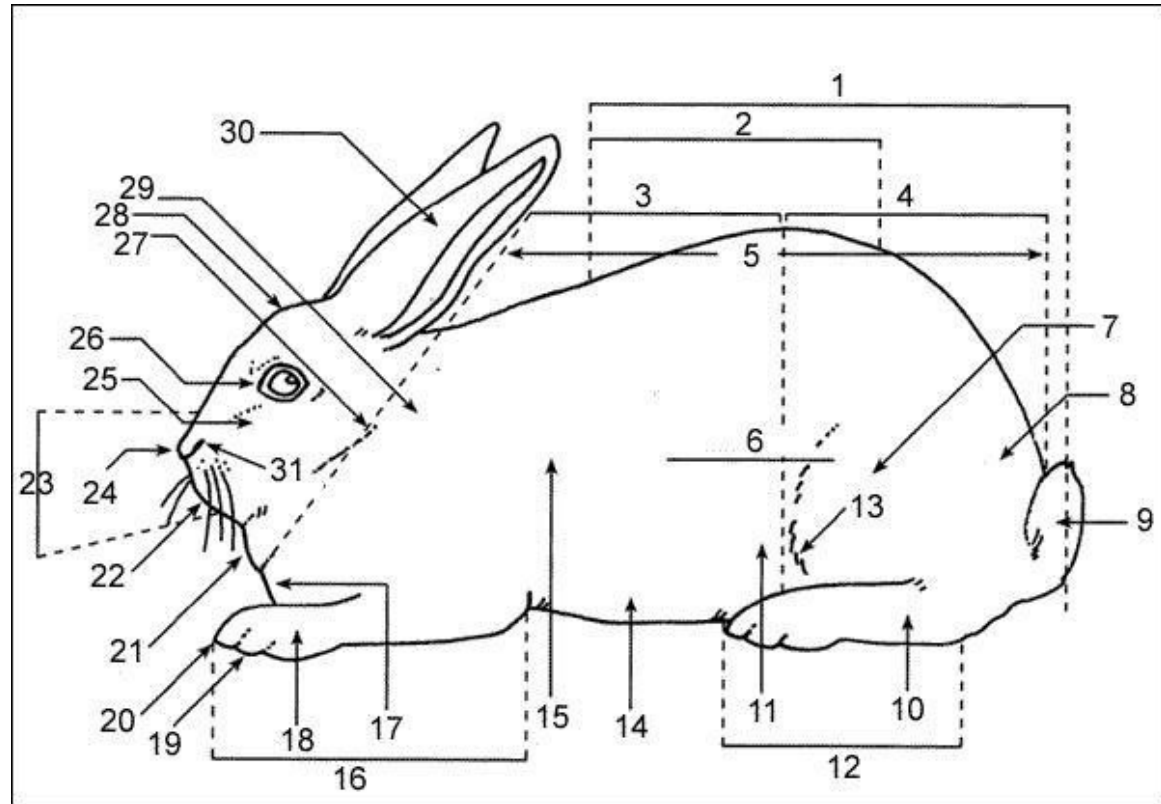
- A. 6
- B. 8
- C. 7
- D. 4



Question 25

What number of the pictured rabbit is the cheek?

- A. 31
- B. 26
- C. 25
- D. 15



Michigan Skillathon - Rabbits

- | | |
|-------|-------|
| 1. A | 14. A |
| 2. D | 15. B |
| 3. A | 16. C |
| 4. B | 17. E |
| 5. C | 18. I |
| 6. B | 19. C |
| 7. G | 20. D |
| 8. F | 21. E |
| 9. D | 22. B |
| 10. C | 23. A |
| 11. B | 24. C |
| 12. A | 25. C |
| 13. D | |

